

LONGDYES

WORKSITE SAFETY

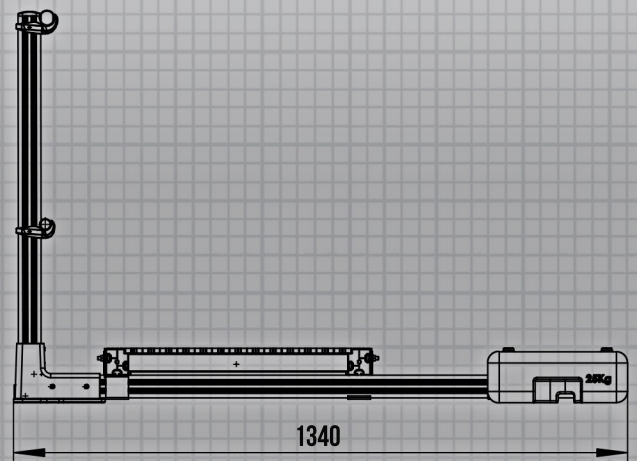
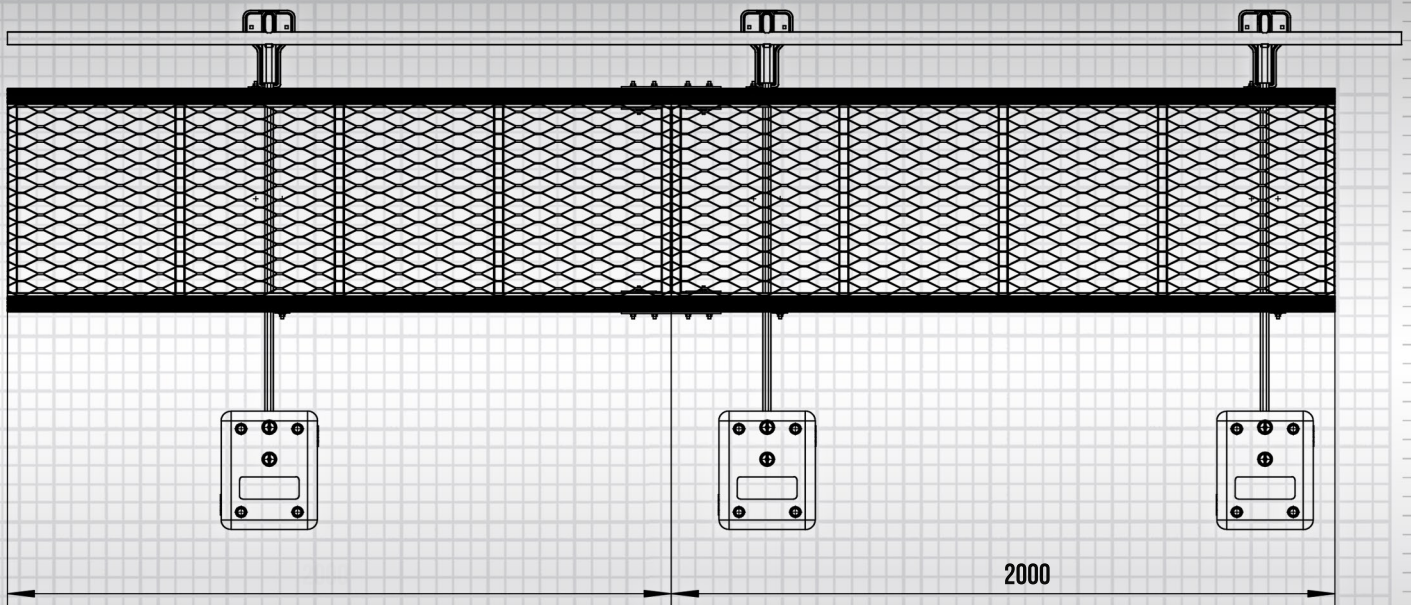
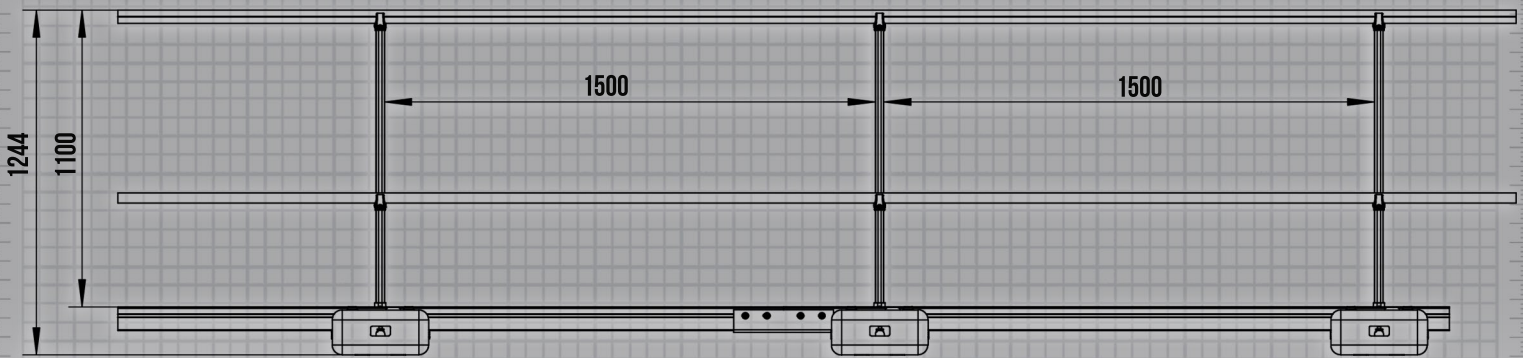
ROOFTOP

**WAYS
ALWAYS**



EN14122-4

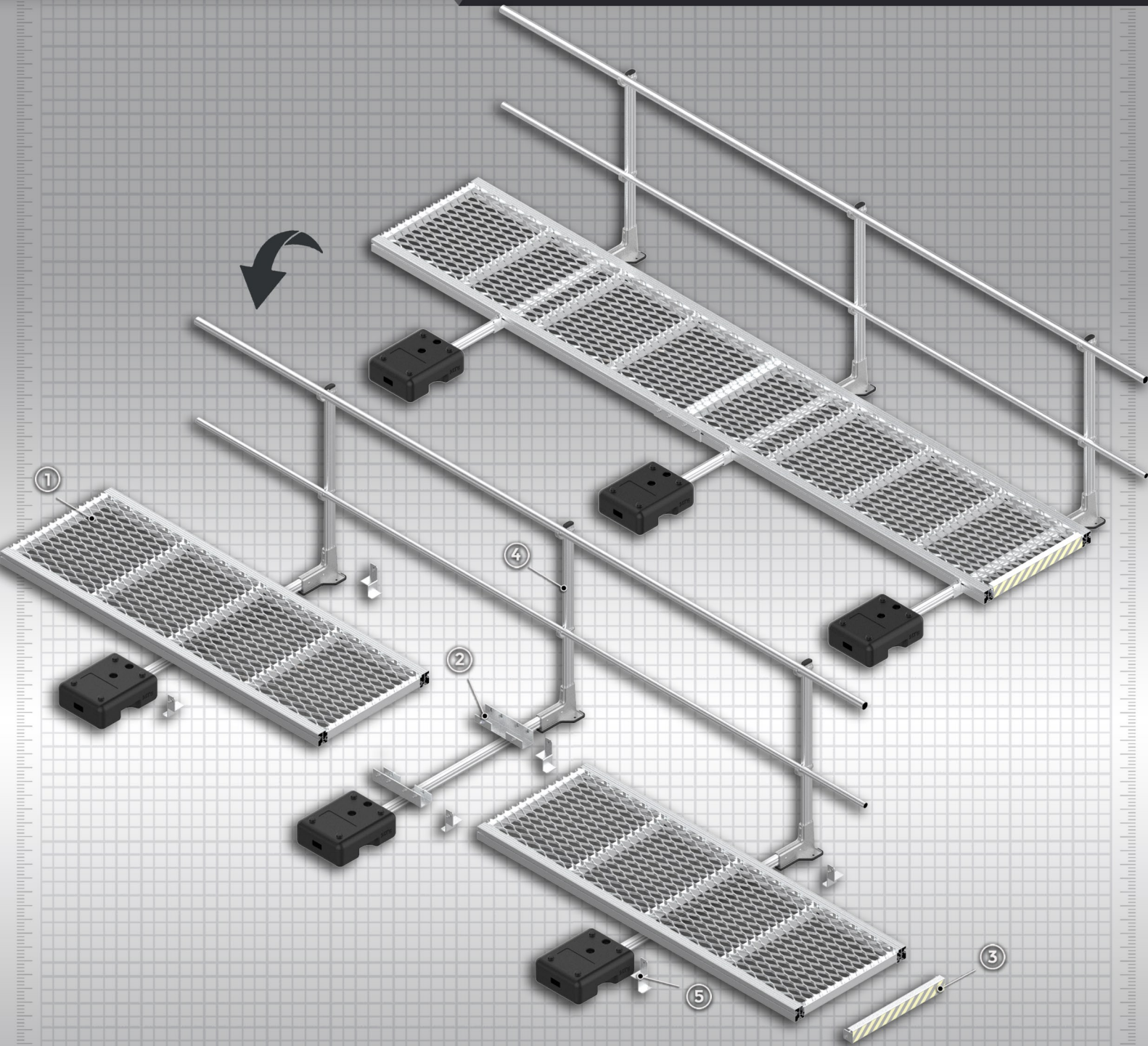
DIMENSIONS



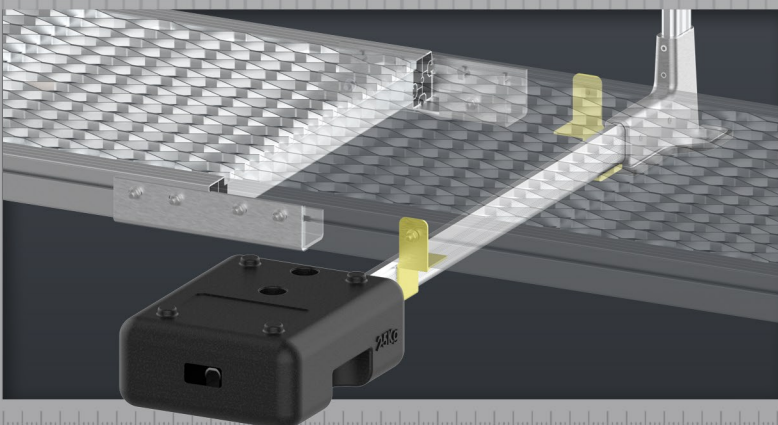
WALKWAYS

Aluminum bar-grating walkways with aluminum perimeter guardrails represent the highest quality designs available. Designed for attachment to structures, buildings, wall surfaces and free-standing designs, LONDYES platforms satisfy or exceed the most stringent code requirements for general commercial, municipal and industrial applications

MAIN PARTS

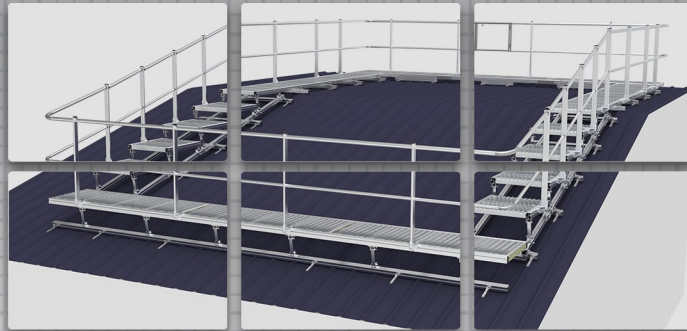


BARCKET FOR FREESTANDING LEG



WALKWAY PAIRS WITH FREESTANDING GUARDRAIL

- ① **Platform**
Non-corrosive bar-grating platform
- ② **Platform connector**
Connect platforms
- ③ **Bumper**
Horizontal metal guard for platform
- ④ **Freestanding guardrail**
Mount the guardrails onto platform
- ⑤ **FS base bracket**
Support the platform



www.longdyes.com



OFFICE

ROOM 3006, TOWER 3, EXCELLENCE CENTURY CENTER,
NO.31 LONGCHENG ROAD, QINGDAO, CHINA

PHONE: +86 532 83932416

MAIL: info@longdyes.com

FACTORY

NO.8 BAOLULAI ROAD,
QINGDAO, CHINA